



# Avvolgitore manuale Mobile Wrapper

IRONMAN

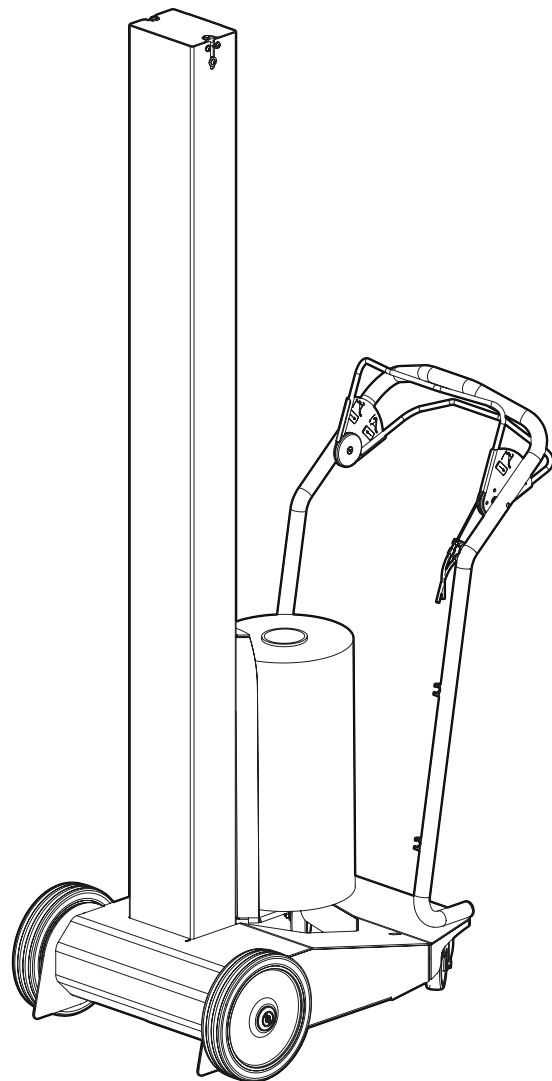
Catalogo ricambi  
Spare parts catalogue

**PKG Srl**  
**a socio unico**

Via Torrianese, 58  
47824 - Poggio Torriana - RN  
ITALY

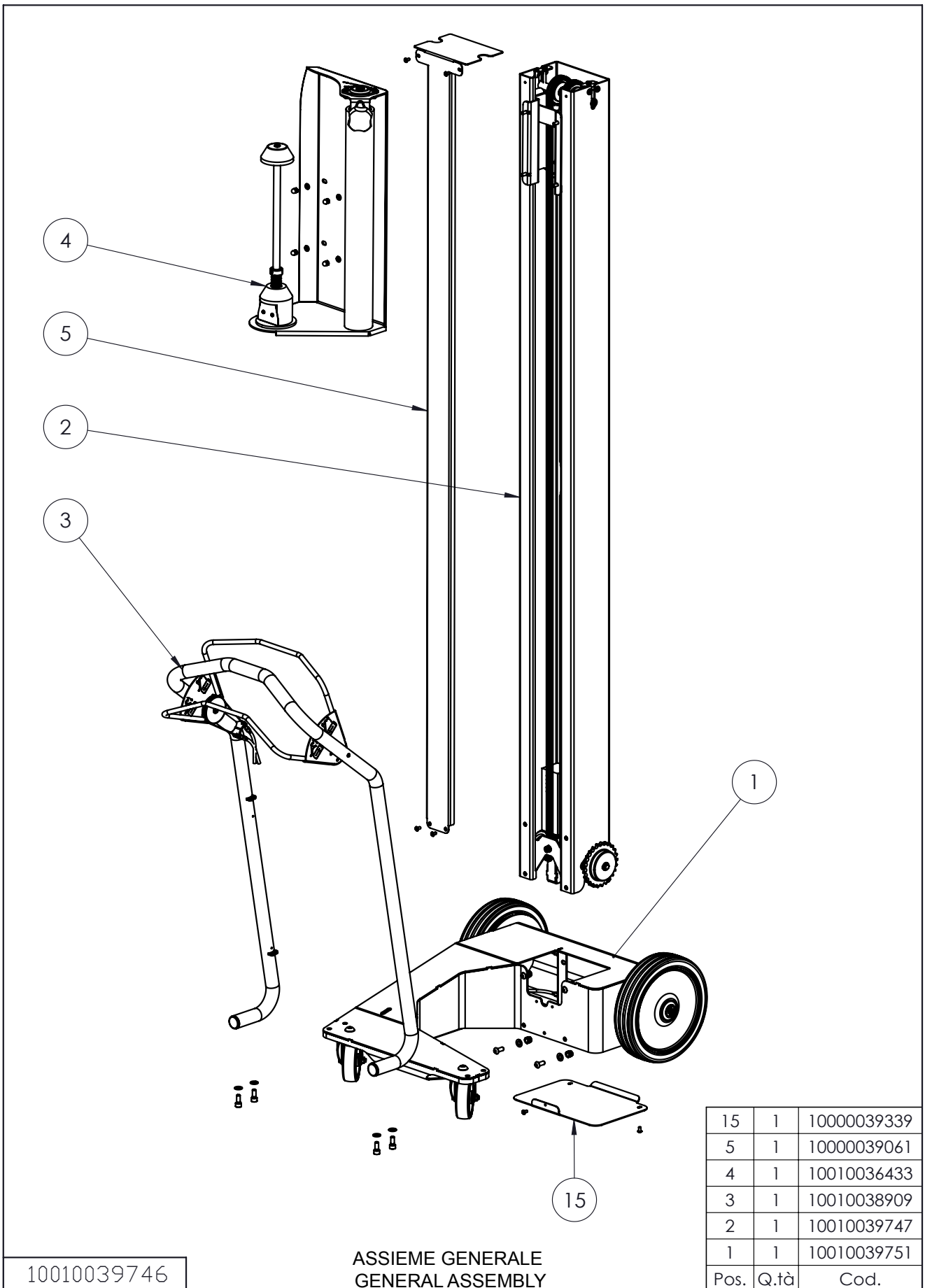
Tel. 0541 627063

[www.pkg-group.com](http://www.pkg-group.com)  
[info@pkg-group.com](mailto:info@pkg-group.com)



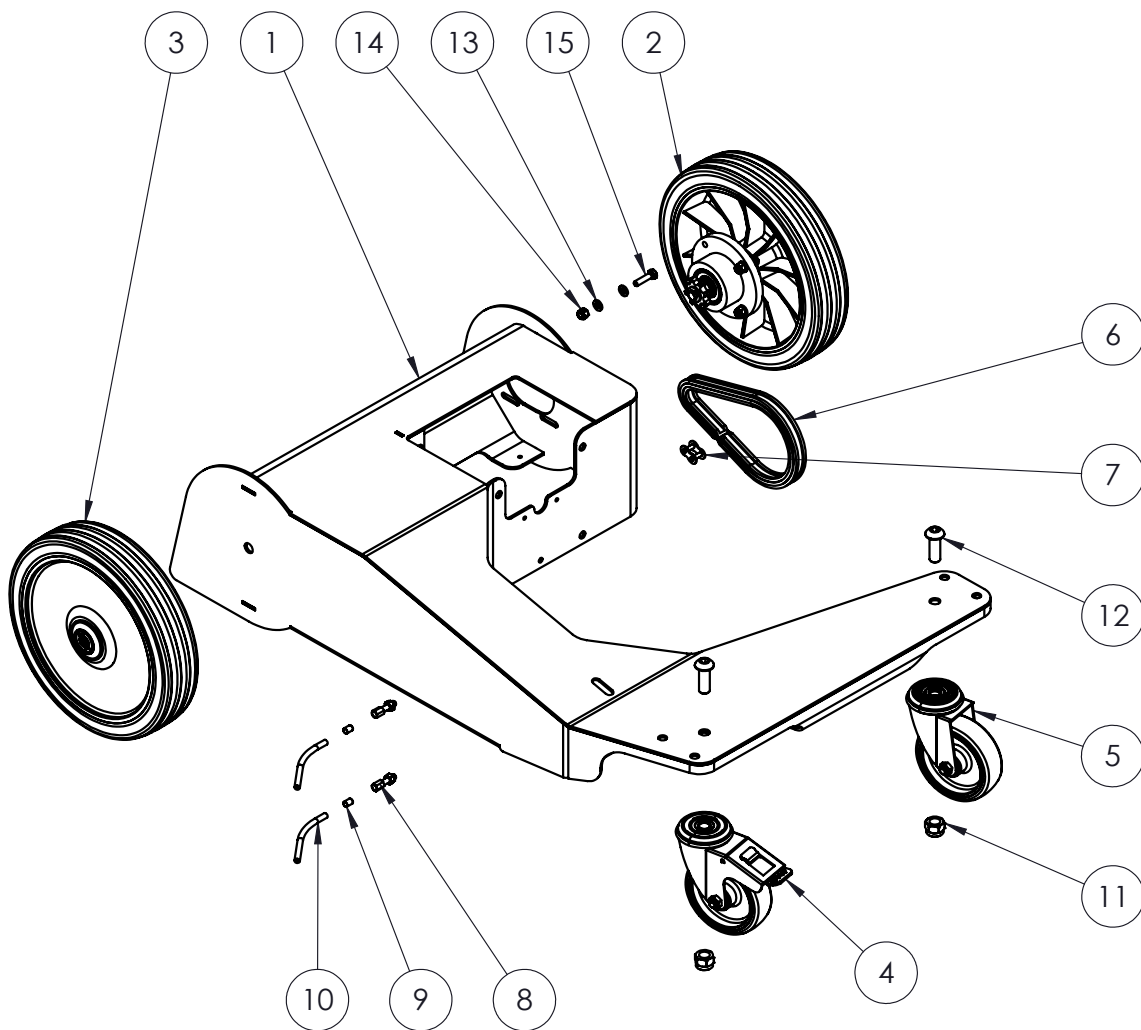
IT

Rev.0 24/10/2019



10010039746

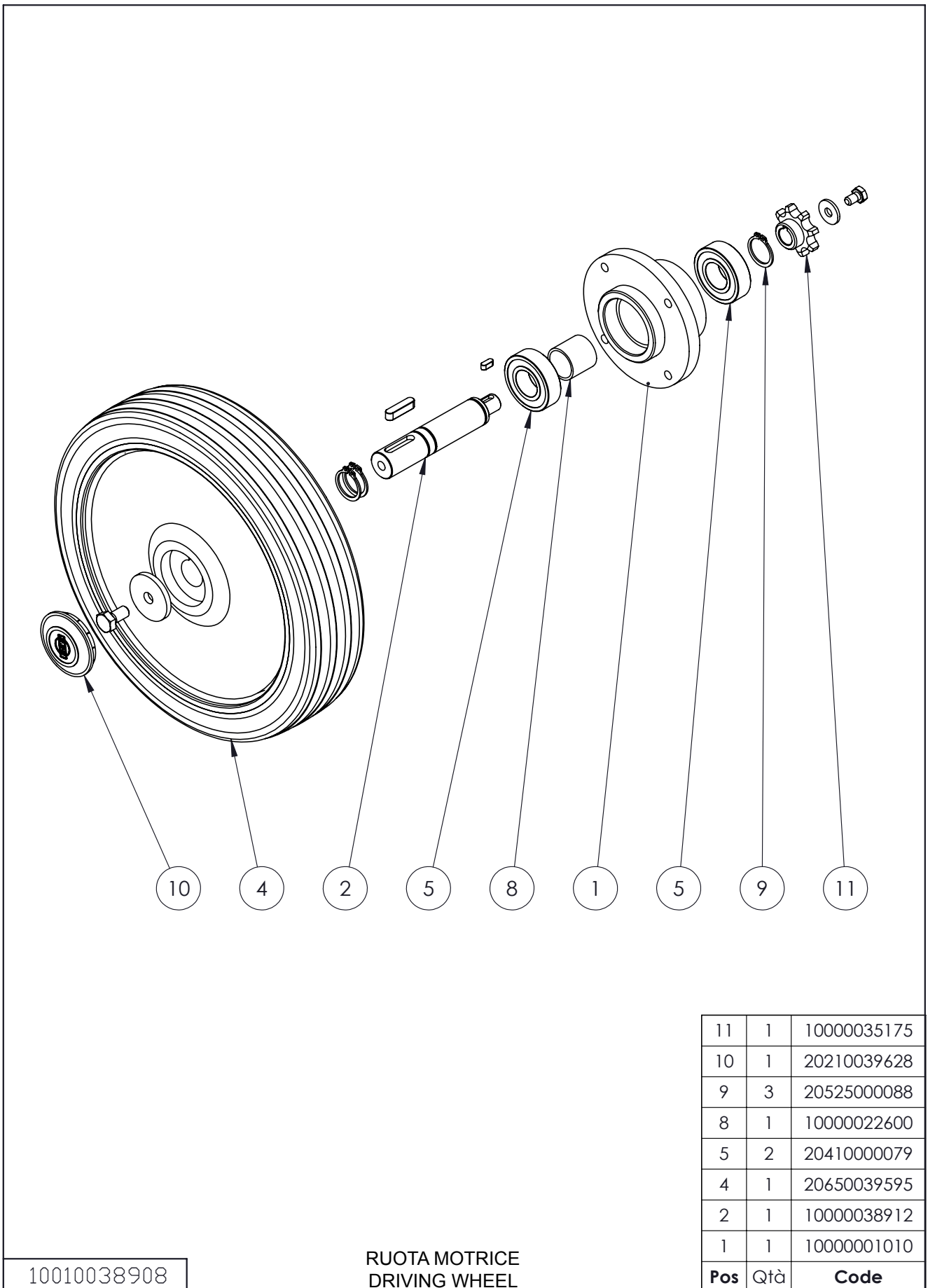
ASSIEME GENERALE  
GENERAL ASSEMBLY



15	4	20500010172
14	4	20510000126
13	8	20520000099
12	2	20500039096
11	2	20510000129
10	2	20575036764
9	2	20575036763
8	2	20575036485
7	1	20315000605
6	1	20315039065
5	1	20650039092
4	1	20650039091
3	1	10010039630
2	1	10010038908
1	1	10000038904
Pos.	Qtà	Cod.

10010039751

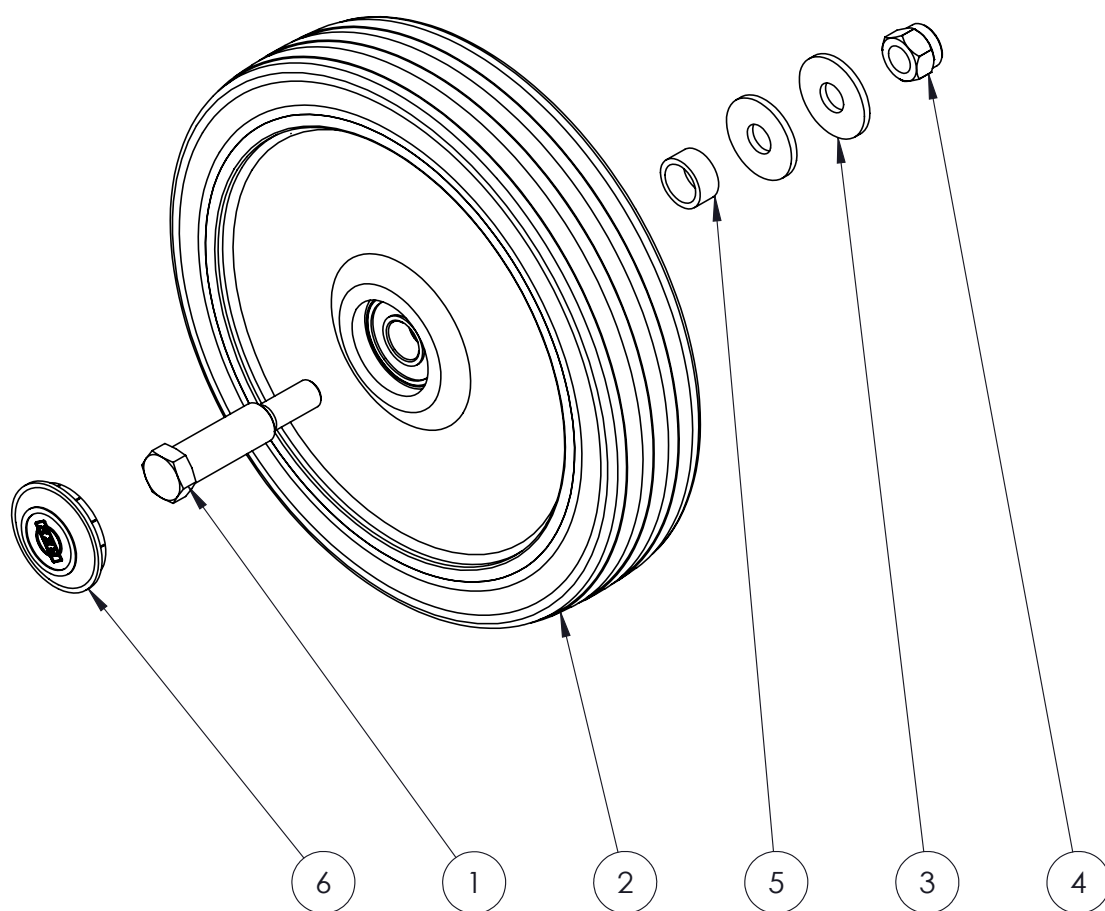
BASE  
BASE



11	1	10000035175
10	1	20210039628
9	3	20525000088
8	1	10000022600
5	2	20410000079
4	1	20650039595
2	1	10000038912
1	1	10000001010
<b>Pos</b>	<b>Qtà</b>	<b>Code</b>

10010038908

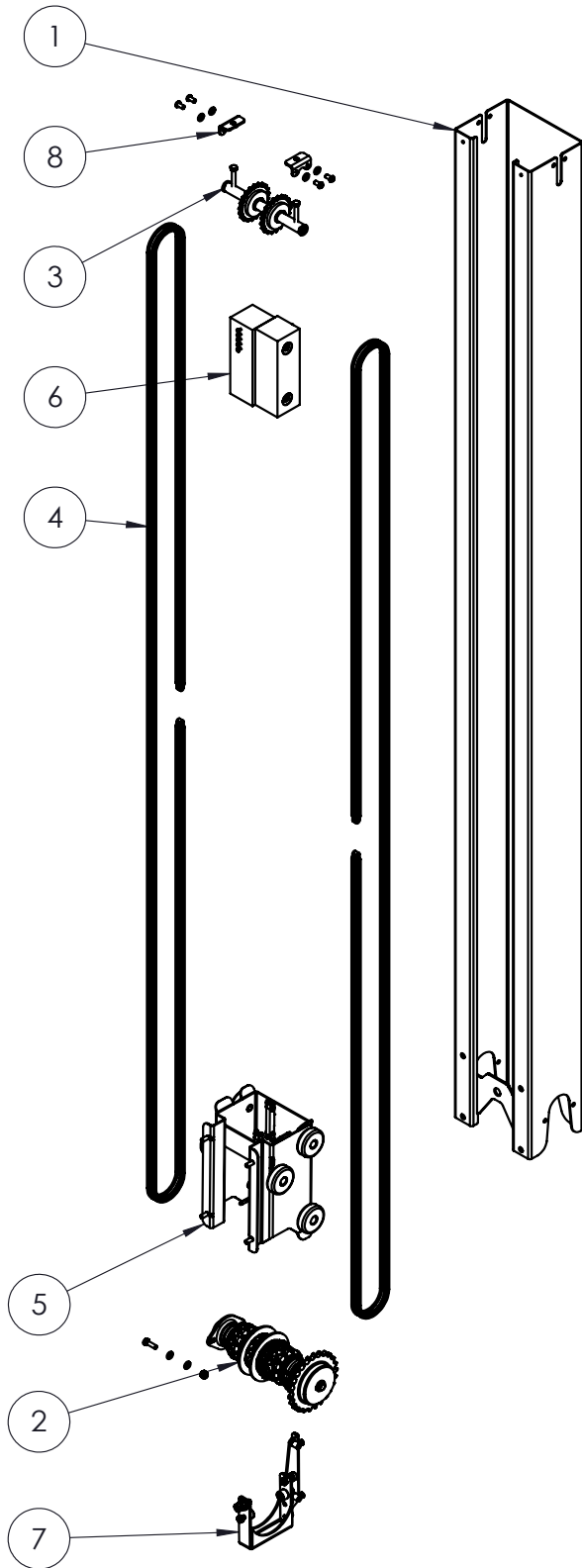
RUOTA MOTRICE  
DRIVING WHEEL



6	1	20210039628
5	1	10000000982
4	1	20510000129
3	2	20520010237
2	1	20650039604
1	1	10000039629
<b>Pos</b>	<b>Qtà</b>	<b>Code</b>

10010039630

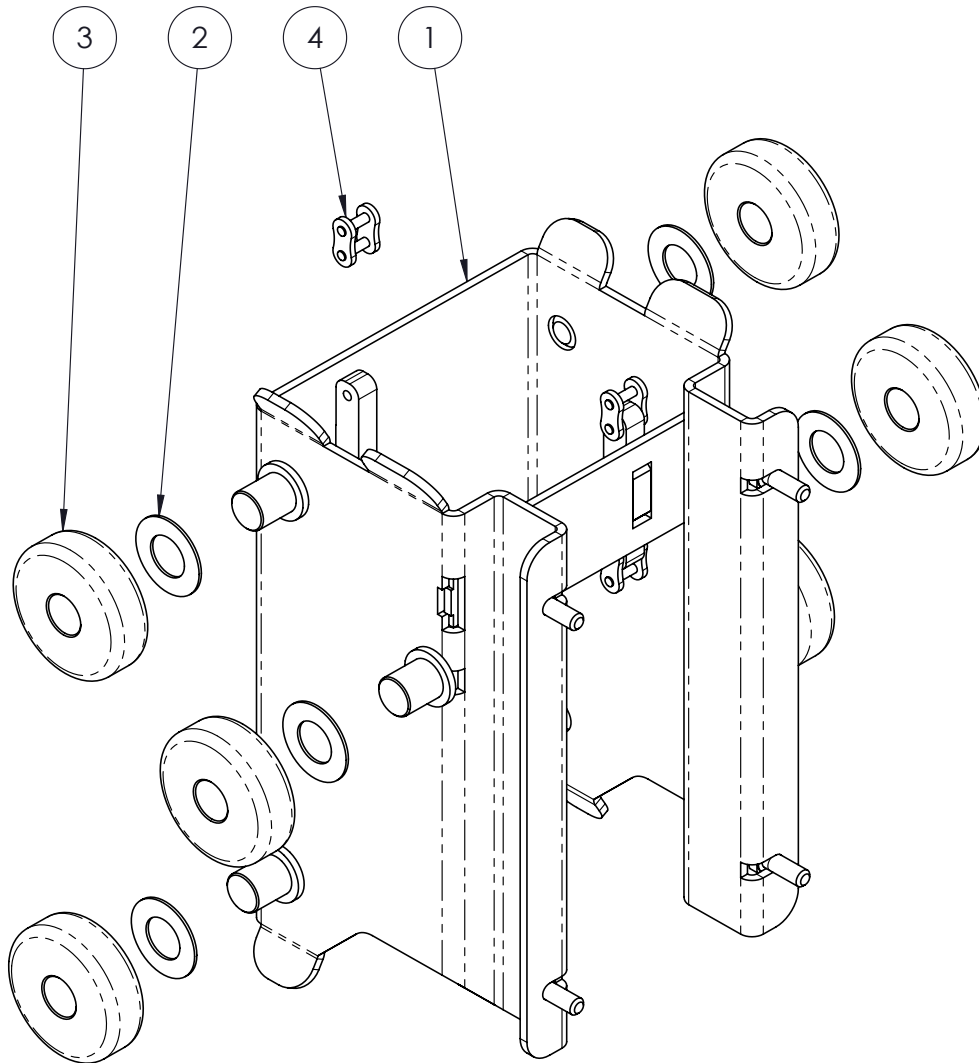
RUOTA FOLLE  
IDLER WHEEL



8	2	10000039309
7	1	10010039047
6	1	10010039038
5	1	10010038906
4	2	20315038950
3	1	10010039060
2	1	10010039684
1	1	10000038905
Pos.	Q.tà	Cod.

10010039747

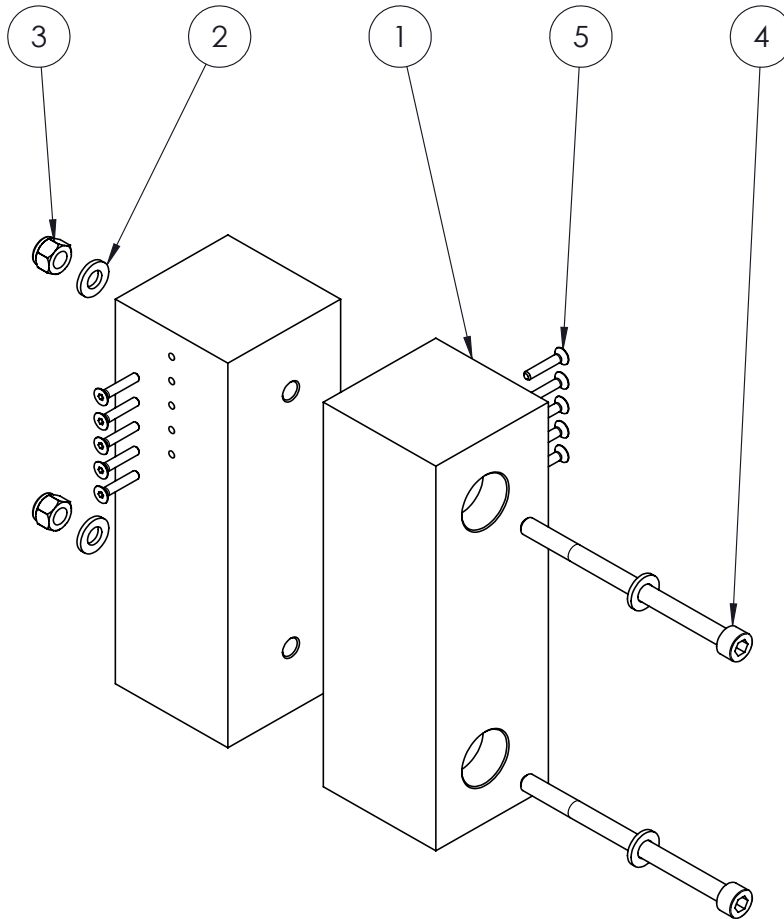
COLONNA VERTICALE  
VERTICAL COLUMN



10010038906

**CARRELLO DI SCORRIMENTO  
SLIDING CARRIAGE**

4	4	20315005518
3	6	10000039035
2	6	20430000596
1	1	10000038907
Pos.	Qtà	Cod.

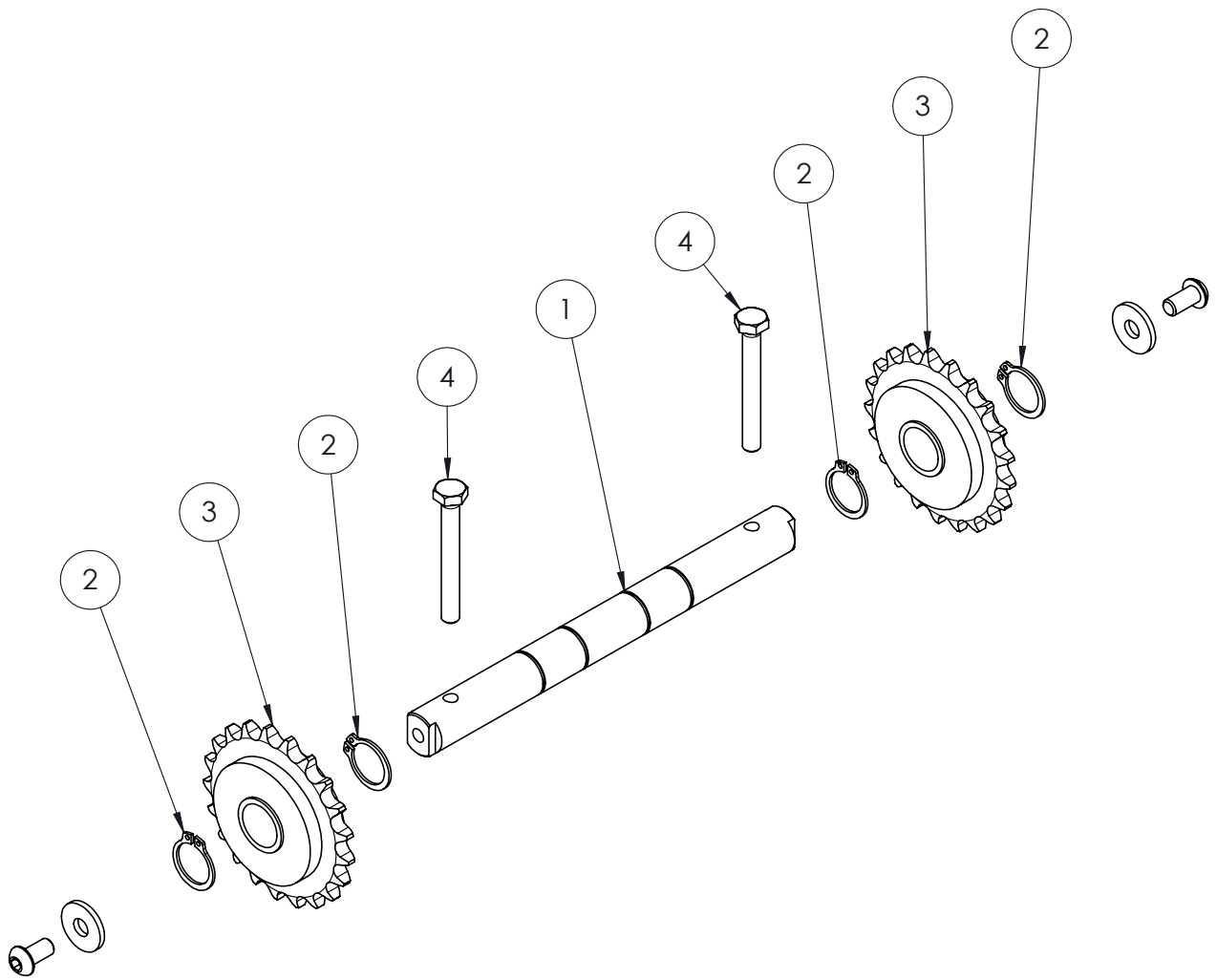


10010039038

CONTRAPESO  
COUNTERWEIGHT

5	10	20500039039
4	2	20500019041
3	2	20510000126
2	4	20520000099
1	2	10000038913
Pos.	Qtà	Cod.

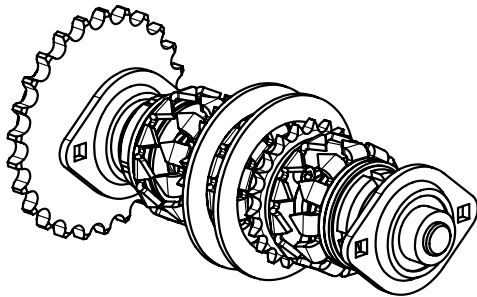
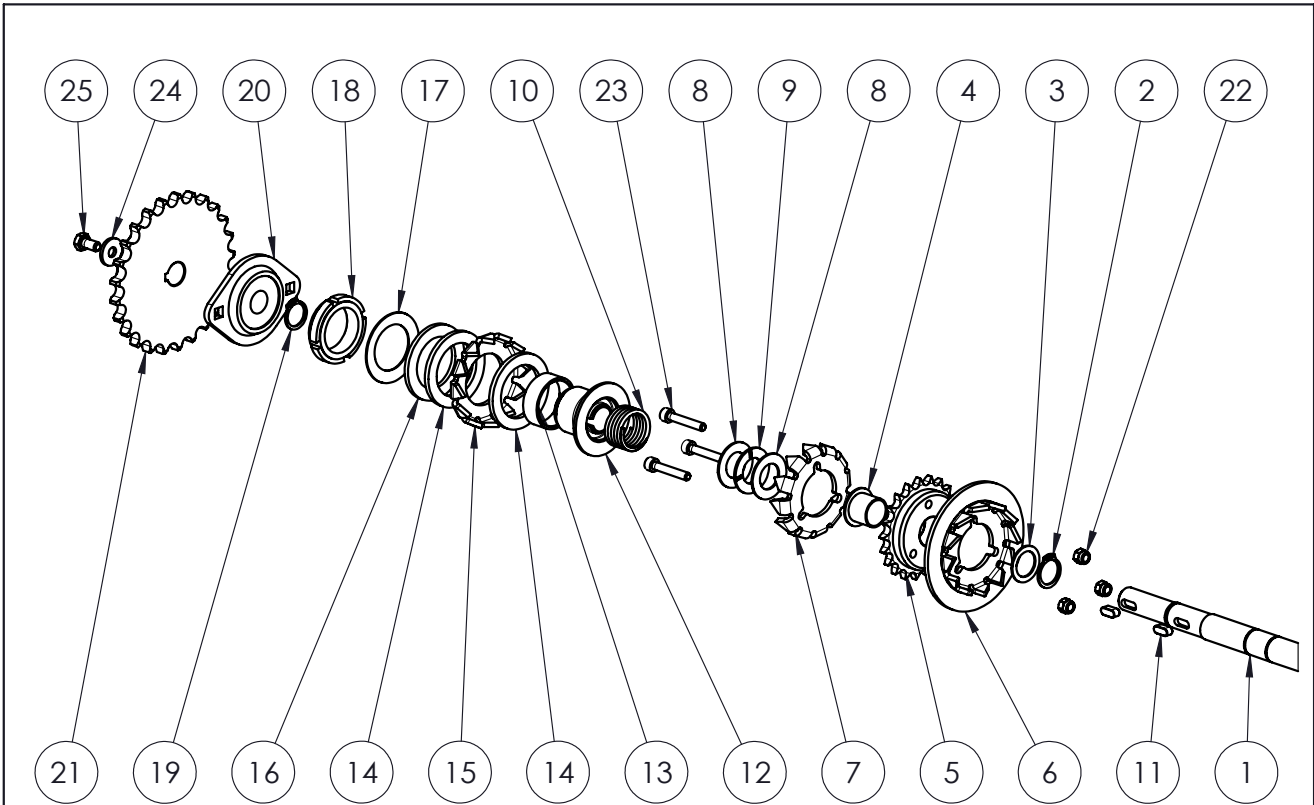




10010039060

RINVIO SUPERIORE CATENE  
SUPERIOR CHAIN TRANSMISSION

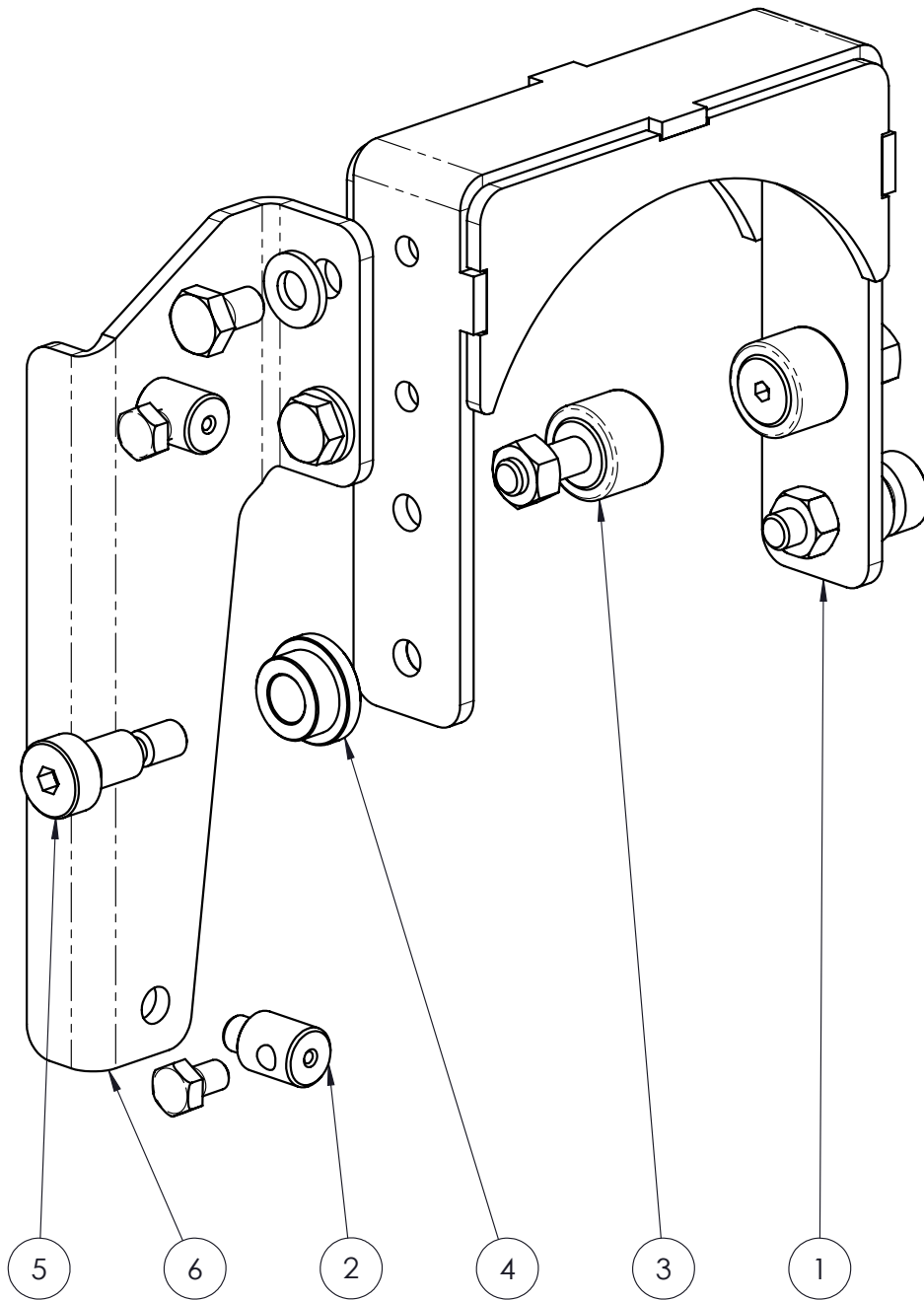
4	2	20500019167
3	2	20345039058
2	4	20525010445
1	1	10000039059
Pos.	Qtà	Cod.



25	1	20500010151
24	1	20520000370
23	6	20500019287
22	6	20510000125
21	1	10000039045
20	2	20450002877
19	2	20525010445
18	2	20550039434
17	2	21300039436
16	2	10000039437
15	2	10000039452
14	4	20340039451
13	2	20340039450
12	2	10000039438
11	3	20530013927
10	2	10000036311
9	2	20410036460
8	4	20430036310
7	2	10000038928
6	2	10000039090
5	2	10000038935
4	2	20440039089
3	2	20430036309
2	2	20525001550
1	1	10000039727
Pos.	Q.tà	Cod.

10010039684

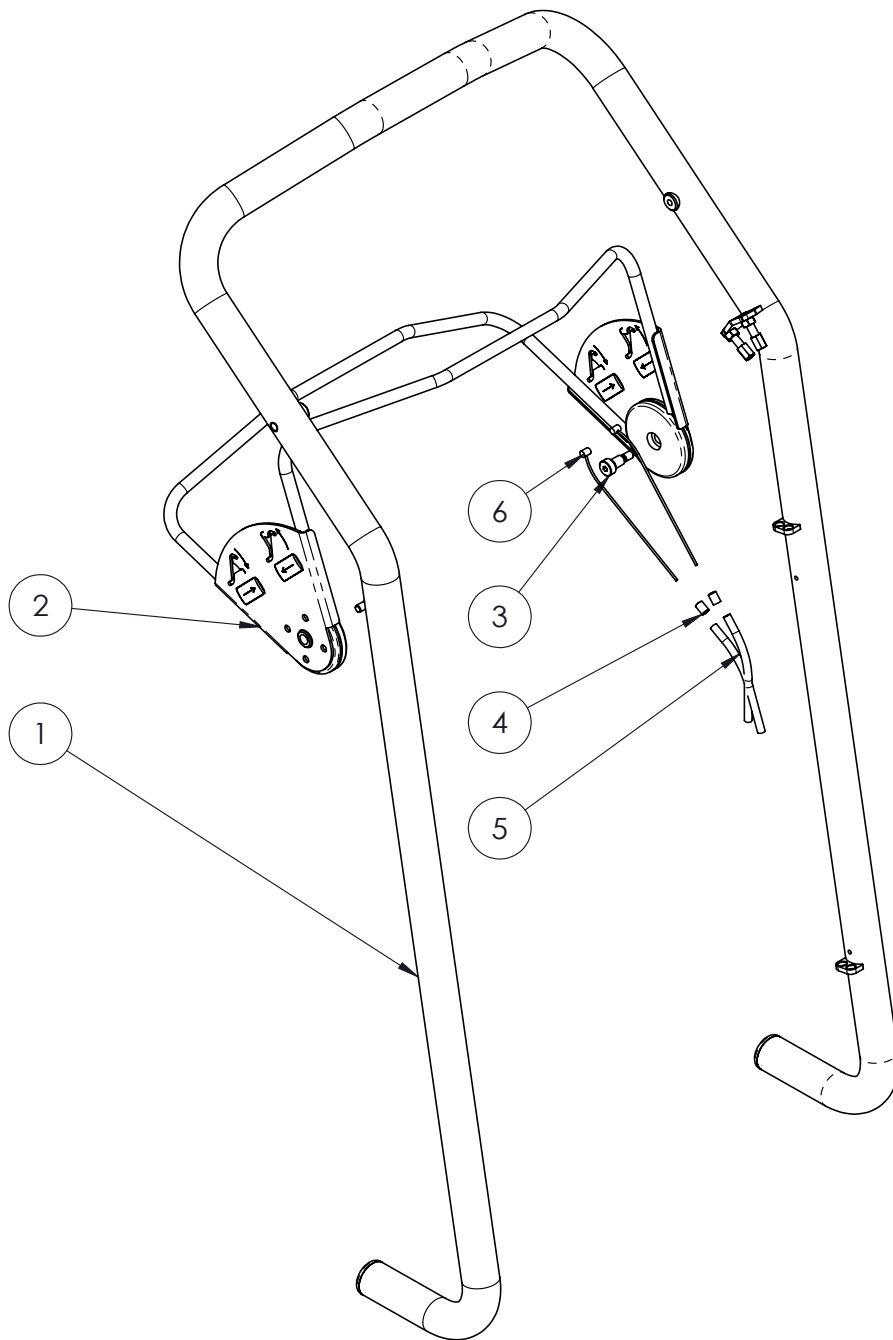
RUOTA MOTRICE  
LOWER CHAIN TRANSMISSION



10010039047

LEVA INVERSIONE  
REVERSE LEVER

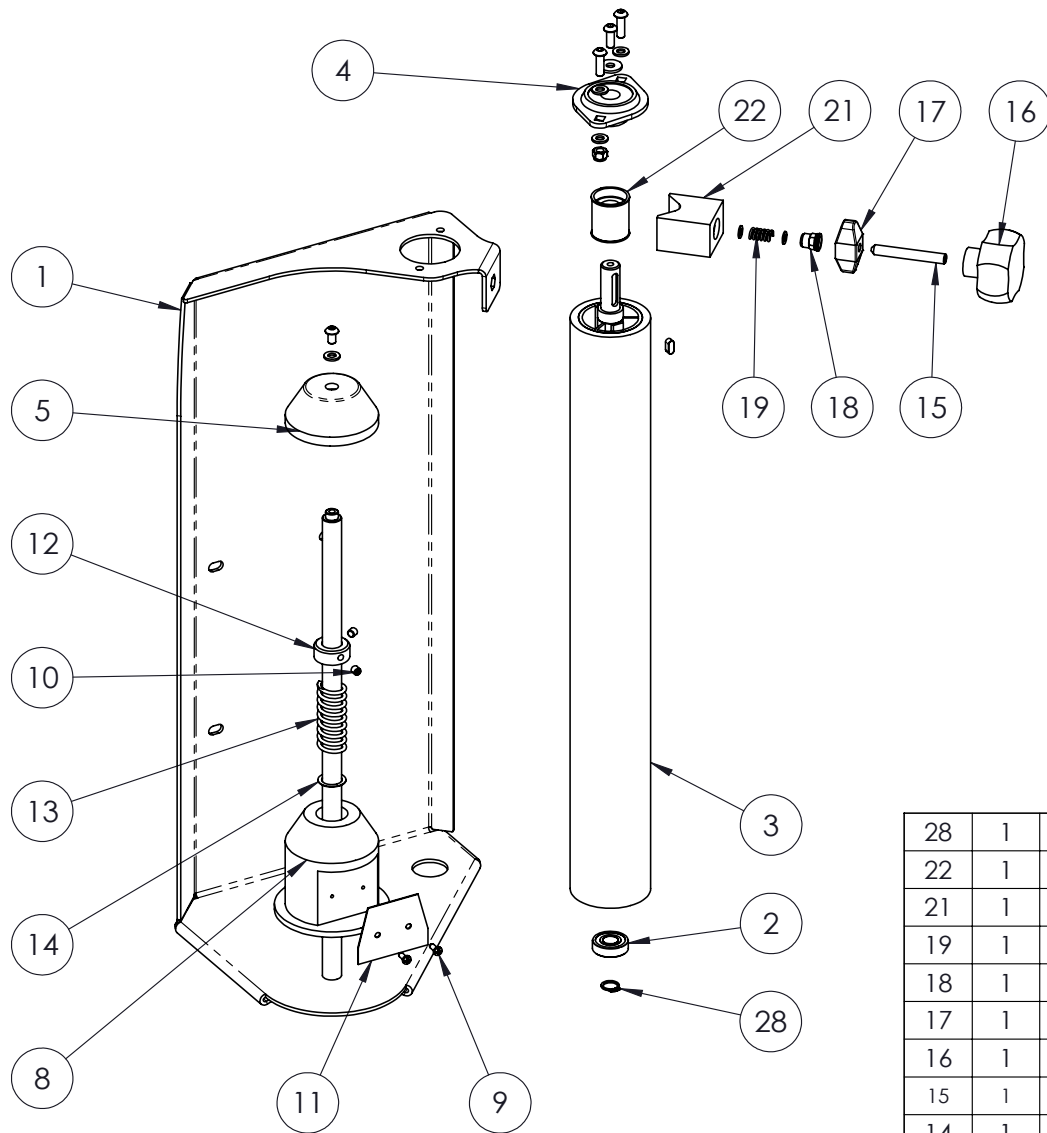
6	1	10000037834
5	2	20500016319
4	2	20440002896
3	2	20420030786
2	2	10000042442
1	1	10000038942
Pos.	Qtà	Cod.



10010038909

MANIGLIONE DI SPINTA  
PUSH HANDLE

7	2	20575036485
6	2	20575036765
5	2	20575036764
4	2	20575036763
3	2	20500016319
2	1	10000036458
1	1	10000038924
Pos.	Qtà	Cod.



28	1	20525000087
22	1	10000036490
21	1	10000000028
19	1	10000000052
18	1	20540000144
17	1	20510002178
16	1	20100002179
15	1	20500002180
14	1	20430000057
13	1	10000000030
12	1	20545000078
11	1	10000000035
10	2	20500000375
9	2	20500002025
8	1	10000000033
5	1	10000000034
4	1	20450002877
3	1	10000003162
2	1	20410000080
1	1	10000036432
Pos.	Qtà	Cod.

10010036433

CARRELLO PORTABOBINE  
REEL HOLDER



## **PKG Srl a socio unico**

Via Torrianese, 58  
47824 Poggio Torriana (RN) - ITALY

Tel. 0541 627063

**[www.pkg-group.com](http://www.pkg-group.com)**  
**[info@pkg-group.com](mailto:info@pkg-group.com)**